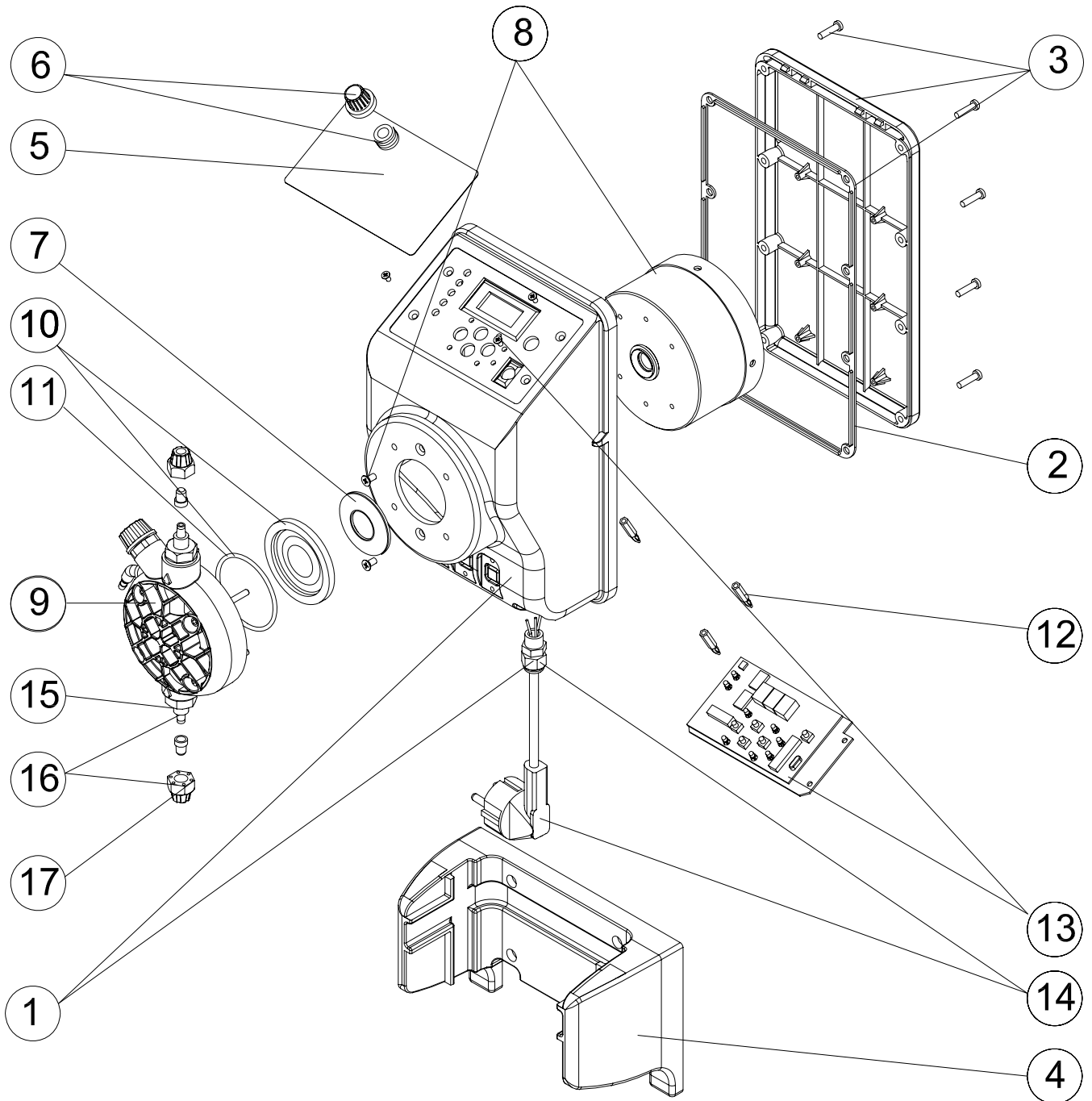


**CODIGO : 33837 - 33838 - 33839 - 33840 - 33841 - 33842**

**DESCRIPCION : BOMBA DOSIFICADORA EXACTUS MANUAL**



Pos.	CODIGO	DENOMINACION	Pos.	CODIGO	DENOMINACION
1	4408031101	CAJA BOMBA EXACTUS	9	4408031205	CABEZAL COMPLETO
2	4408031102	JUNTA CAJA BOMBA	9	4408030409	CABEZAL COMPLETO 20L. 5KG 33842
3	4408031103	TAPA TRASERA BOMBA	10	4408030119	MEMBRANA COMPLETA
4	4408031104	SOPORTE BOMBA	10	4408030429	MEMBRANA COMPLETA 33842
5	4408031805	PANEL TACTIL MA/AD	11	4408030111	JUNTA TORICA CABEZAL
6	4408031806	ARANDELA Y MANDO POTENCIOMETRO	11	4408030413	JUNTA TORICA CABEZAL 33842
7	4408030531	ARANDELA PISTON 33839 - 40	12	4408031204	DISTANCIADOR + PANEL TACTIL 17M/M.
7	4408031119	ARANDELA PISTON 33837 - 38	13	4408031829	CIRCUITO ELECTRONICO MA/AD
7	4408031121	ARANDELA PISTON 33841	14	4408031221	CABLE ALIMENTACION
7	4408031122	ARANDELA PISTON 33842	15	4408030115	VALVULA DUTRAL+ SOPORTE
8	4408030921	ELECTROIMAN 33837	15	4408030116	VALVULA VITON + SOPORTE
8	4408031112	ELECTROIMAN 33838	15	4408030117	VALVULA SILICONA + SOPORTE
8	4408030118	ELECTROIMAN 33839	16	4408030112	CUERPO RACCORD VALVULA DUTRAL
8	4408031114	ELECTROIMAN 33840	16	4408030113	CUERPO RACCORD VALVULA VITON
8	4408030517	ELECTROIMAN 33841	16	4408030114	CUERPO RACCORD VALVULA SILICONA
8	4408031116	ELECTROIMAN 33842	17	4408030126	TUERCA SUJECION TUBO

## ENGLISH

POS.	CODE	DESCRIPTION	POS.	CODE	DESCRIPTION
1	4408031101	EXACTUS PUMP BOX	9	4408031205	COMPLETE HEAD ASSEMBLY
2	4408031102	PUMP BOX SEAL	9	4408030409	COMPLETE HEAD ASSEMBLY 20L. 5KG.
3	4408031103	PUMP REAR COVER	10	4408030119	DIAPHRAM COMPLETE
4	4408031104	PUMP SUPPORT	10	4408030429	DIAPHRAM COMPLETE
5	4408031805	TOUCH SCREEN PANEL MA/AD	11	4408030111	HEAD O RING
6	4408031806	WASHER AND POTENTIOMETER KNOB	11	4408030413	HEAD O RING
7	4408030531	PISTON WASHER	12	4408031204	SUPPORT FOR ELECTRONIC CIRCUIT
7	4408031119	PISTON WASHER 25359	13	4408031829	ELECTRONIC CIRCUIT MA/AD .230V.
7	4408031121	PISTON WASHER 25364	14	4408031221	SUPPLY CABLE
7	4408031122	PISTON WASHER 25366	15	4408030115	DUTRAL VALVE + SUPPORT
8	4408030921	ELECTROMAGNET 2 L. 33837	15	4408030116	VITON VALVE + SUPPORT
8	4408031112	ELECTROMAGNET 25359	15	4408030117	SILICON VALVE + SUPPORT
8	4408030118	ELECTROMAGNET ASSEMBLY COMPLETE	16	4408030112	HEAD CONNECTOR BODY + DUTRAL
8	4408031114	ELECTROMAGNET 25362-72-63-68-70	16	4408030113	HEAD CONNECTOR BODY + VITON
8	4408030517	ELECTROMAGNET 01294-25364-73-65-69-71	16	4408030114	HEAD CONNECTOR BODY + SILICON
8	4408031116	ELECTROMAGNET 25366	17	4408030126	SUCTION TUBE NUT

## FRANÇAIS

POS.	CODE	DESCRIPTION	POS.	CODE	DESCRIPTION
1	4408031101	BOITIER DE POMPE EXACTUS	9	4408031205	TETE COMPLET
2	4408031102	JOINT BOITIER DE POMPE	9	4408030409	TETE COMPLET 20L. 5KG.
3	4408031103	COUVERCLE POMPE	10	4408030119	MEMBRANE COMPLETE
4	4408031104	SUPPORT DE POMPE	10	4408030429	MEMBRANE COMPLETE
5	4408031805	TABLEAU DE CONTROLE TACTILE MA/AD	11	4408030111	JOINT TORIQUE TETE
6	4408031806	RONDELLE ET TELECOMMANDE POTENTIOMETRE	11	4408030413	JOINT TORIQUE TETE
7	4408030531	RONDELLE PISTON	12	4408031204	DISTANCIATEUR PANEAU TACTILE
7	4408031119	RONDELLE PISTON 25359	13	4408031829	CIRCUIT ELECTRONIQUE MA/AD. 230V.
7	4408031121	RONDELLE PISTON 25364	14	4408031221	CABLE ALIMENTATION
7	4408031122	RONDELLE PISTON 25366	15	4408030115	CLAPET DUTRAL + SUPPORT
8	4408030921	ELECTROAIMANT 2 L. 33837	15	4408030116	CLAPET VITON + SUPPORT
8	4408031112	ELECTROAIMANT 25359	15	4408030117	CLAPET SILICONA + SUPPORT
8	4408030118	ELECTROAIMANT COMPLET	16	4408030112	CORPS RACCORD + CLAPET DUTRAL
8	4408031114	ELECTROAIMANT 25362-72-63-68-70	16	4408030113	CORPS RACCORD + CLAPET VITON
8	4408030517	ELECTROAIMANT 01294-25364-73-65-69-71	16	4408030114	CORPS RACCORD + CLAPET SILICONE
8	4408031116	ELECTROAIMANT 25366	17	4408030126	ECROU DE TUBE D'ASPIRATION

## ITALIANO

POS.	CODE	DESCRIPTION	POS.	CODE	DESCRIPTION
1	4408031101	CASSA POMPA EXACTUS	9	4408031205	TESTA COMPLETA
2	4408031102	GUARNIZIONE CASSA POMPA	9	4408030409	TESTA COMPLETA 20L. 5KG.
3	4408031103	COPRIVENTOLA POMPA	10	4408030119	MEMBRANA COMPLETA
4	4408031104	SUPPORTO POMPA	10	4408030429	MEMBRANA COMPLETA
5	4408031805	PANNELLO DIGITALE MA/AD	11	4408030111	O-RING PER TESTA
6	4408031806	RONDELLA E COMANDO POTENZIOMETRO	11	4408030413	O-RING TESTA
7	4408030531	RONDELLA PISTONE	12	4408031204	DISTANCIALE PANNELLO COMANDI 17 M/M.
7	4408031119	RONDELLA PISTONE 25359	13	4408031829	CIRCUITO ELETTRONICO MA/AD. 230V
7	4408031121	RONDELLA PISTONE 25364	14	4408031221	CAVO DI ALIMENTAZIONE
7	4408031122	RONDELLA PISTONE 25366	15	4408030115	VALVOLA DUTRAL + SUPPORTO
8	4408030921	ELETTROCALAMITA 2 L. 33837	15	4408030116	VALVOLA + SUPPORTO
8	4408031112	ELETTROCALAMITA 25359	15	4408030117	VALVOLA SILICONE + SUPPORTO
8	4408030118	ELETTROCALAMITA COMPLETA	16	4408030112	CORPO RACCORDO + VALVOLA IN DUTRAL
8	4408031114	ELETTROCALAMITA 25362-72-63-68-70	16	4408030113	CORPO RACCORDO + VALVOLA IN VITON
8	4408030517	ELETTROCALAMITA 01294-25364-73-65-69-71	16	4408030114	CORPO RACCORDO + VALVOLA IN SILICONE
8	4408031116	ELETTROCALAMITA 25366	17	4408030126	GHIERA FISSAGGIO TUBO

## DEUTSCH

POS.	CODE	DESCRIPTION	POS.	CODE	DESCRIPTION
1	4408031101	GEHÄUSE DOSIERPUMPE EXACTUS	9	4408031205	KOPFSTÜCK KOMPLETT
2	4408031102	GEHÄUSEDICHTUNG DOSIERPUMPE	9	4408030409	KOPFSTÜCK KOMPLETT 20L. 5KG.
3	4408031103	DECKEL GEHÄUSE HINTEN 01292-01294	10	4408030119	MEMBRANE KOMPLETT 5 LTR.
4	4408031104	PUMPENHALTERUNG	10	4408030429	MEMBRANE KOMPLETT 01292
5	4408031805	TOUCHSCREEN BEDIENFELD MA/AD	11	4408030111	O-RING KOPFSTÜCK 5 LTR.
6	4408031806	BEILAGSCHEIBE UND REGULIERUNG POTENZIOMETER	11	4408030413	O-RING KOPFSTÜCK
7	4408030531	DOSIERKOPF DICHTUNG 01294	12	4408031204	HALTERUNG FÜR ELECKTRONIK PANEEL
7	4408031119	DOSIERKOPF DICHTUNG 25359	13	4408031829	PLATINE DOSIERPUMPE MA/AD. 230V
7	4408031121	DOSIERKOPF DICHTUNG 25364	14	4408031221	KABEL DOSIERPUMPE 01283-01285
7	4408031122	DOSIERKOPF DICHTUNG 25366	15	4408030115	VENTIL DUTRAL 5 LTR.
8	4408030921	ELEKTROMAGNET 2 LTR. 33837	15	4408030116	VENTIL VITON 5 LTR.
8	4408031112	ELEKTROMAGNET 25359	15	4408030117	VENTIL SILIKON 5 LTR.
8	4408030118	ELEKTROMAGNET KOMPLETT 5 LTR.	16	4408030112	VENTILSATZ DUTRAL 5 LTR.
8	4408031114	ELEKTROMAGNET 25362-72-63-68-70	16	4408030113	VENTILSATZ VITON 5 LTR.
8	4408030517	ELEKTROMAGNET 01294-25364-73-65-69-71	16	4408030114	VENTILSATZ SILIKON 5 LTR.
8	4408031116	ELEKTROMAGNET 25366	17	4408030126	ÜBERWURFMUTTERN SAUG-/DRUCKVENTIL

## PORTUGUÊS

POS.	CODE	DESCRIPTION	POS.	CODE	DESCRIPTION
1	4408031101	CAIXA BOMBA EXACTUS	9	4408031205	CABEÇAL COMPLETO
2	4408031102	JUNTA CAIXA BOMBA	9	4408030409	CABEÇAL COMPLETO 20L. 5KG.
3	4408031103	TAMPA TRASEIRA BOMBA	10	4408030119	MEMBRANA COMPLETA
4	4408031104	SUPORTE BOMBA	10	4408030429	MEMBRANA COMPLETA
5	4408031805	PAINEL DIGITAL TÁCTIL MA/AD	11	4408030111	JUNTA TORICA CABEÇAL
6	4408031806	ANILHA E COMANDO POTENCIOMETRO	11	4408030413	JUNTA TORICA CABEÇAL
7	4408030531	ANILHA PISTON	12	4408031204	DISTANCIADOR DE PAINEL TACTIL 17 M/M.
7	4408031119	ANILHA PISTON 25359	13	4408031829	CIRCUITO ELECTRONICO MA/AD. 230V.
7	4408031121	ANILHA PISTON 25364	14	4408031221	CABO ALIMENTAÇÃO
7	4408031122	ANILHA PISTON 25366	15	4408030115	VÁLVULA DUTRAL + SUPORTE
8	4408030921	ELECTROIMAN 2 L. 33837	15	4408030116	VÁLVULA VITON + SUPORTE
8	4408031112	ELECTROIMAN 25359	15	4408030117	VÁLVULA SILICONE + SUPORTE
8	4408030118	ELECTROIMAN COMPLETO	16	4408030112	CORPO RACORD + DUTRAL
8	4408031114	ELECTROIMAN 25362-72-63-68-70	16	4408030113	CORPO RACORD + VITON
8	4408030517	ELECTROIMAN 01294-25364-73-65-69-71	16	4408030114	CORPO RACORD + SILICONE
8	4408031116	ELECTROIMAN 25366	17	4408030126	PORCA SUJEIÇÃO TUBO